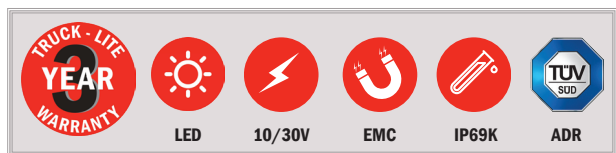




SS/14

LED Beacon with Flexi-DIN

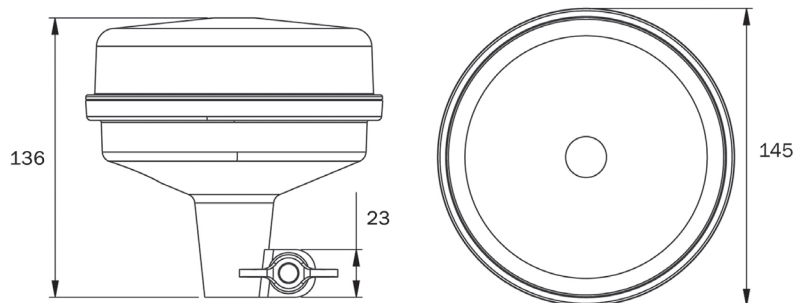


Main Features

- ECE Reg 65 LED Beacon
- Flexi-DIN base
- Uniform light 360°
- Clear lens (amber light output)
- Single flash pattern, 150 flashes per minute



Part No.	SS/14023
Light Source	LED
Voltage	10/30 Volt
Dimensions	ø145mm X H 136mm
Housing	PTE-1040D, BLACK
Lens	Clear, Polycarbonate
Mount/Fixings	DIN Pole
Connector	DIN
Functions	Single flash beacon
Warranty	3 Year
Approvals	ECE Reg 65, EMC, ADR
Testing	IP69K
Application	Truck/Trailer
Power	(average)18W - 26W (peak)



Part Numbers

SS/14023 - LED Beacon with Flexi-DIN