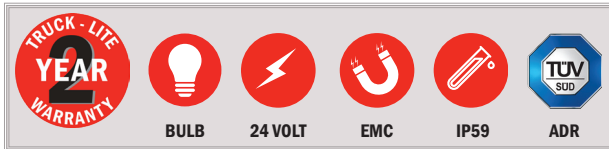




MODEL 804

Multifunction Podular Rear Lamp

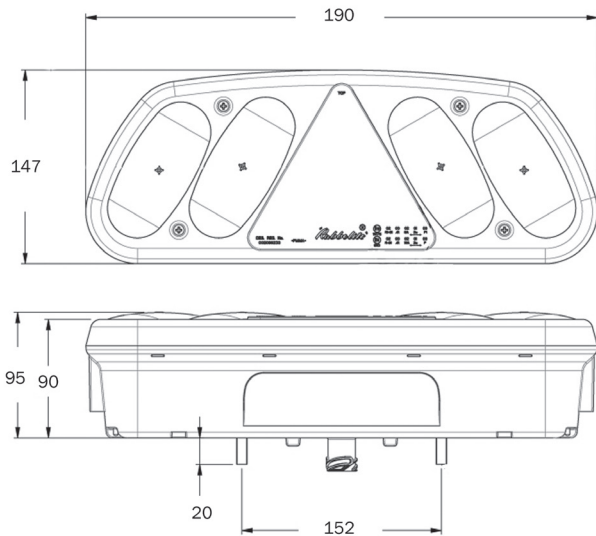


Main Features

- Bulb or LED upgrade option
- Optional stalk lamp (Bulb and LED)
- Additional connections (2x SS tail) for integration into junction box-less kits feeding sidemarker, numberplate, auxiliary etc.

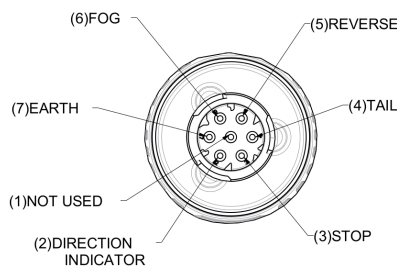


804/17/04 LH Shown



Connection

TL DIN



Rubbolite[®]

Part No.	804/17/04
Light Source	Bulb (LED options available)
Voltage	24V
Dimensions	L 190mm x H 147mm x D 95mm
Housing	Polypropylene
Lens	Polycarbonate
Mount/Fixings	Ø9 x2 - 8.0 - 12Nm
Connector	TL DIN
Functions	Multifunction
Warranty	2 Year
Approvals	ADR Approved, ECE, EMC
Testing	IP59
Application	Trailer
Power	BULB P21W 24V SCC (GE)/ BULB P21/5W 24V SBC AM

Part Numbers

- 804/17/04 - Multifunction Rear Lamp - Right Hand - 7 Pin DIN + 2x2 Pin SS
- 804/17/05 - Multifunction Rear Lamp - Left Hand - 7 Pin DIN + 2x2 Pin SS
- 804/18/04 - Multifunction Rear Lamp + Bulb stalk - Right Hand - 7 Pin DIN + 2x2 Pin SS
- 804/18/05 - Multifunction Rear Lamp + Bulb stalk - Left Hand - 7 Pin DIN + 2x2 Pin SS
- 804/19/04 - Multifunction Rear Lamp + LED stalk - Right Hand - 7 Pin DIN + 2x2 Pin SS
- 804/19/05 - Multifunction Rear Lamp + LED stalk - Left Hand - 7 Pin DIN + 2x2 Pin SS

- 804/67/04 - Multifunction Rear Lamp - Right Hand - EU DIN
- 804/67/05 - Multifunction Rear Lamp - Left Hand - EU DIN
- 804LED/67/04 - Multifunction LED Rear Lamp - Right Hand - EU DIN
- 804LED/67/05 - Multifunction LED Rear Lamp - Left Hand - EU DIN



Truck-Lite Europe Ltd.
Contact: +44 (0)1279 406406

Online: www.Truck-Lite.eu.com
Social Media: @truckliteeurope

