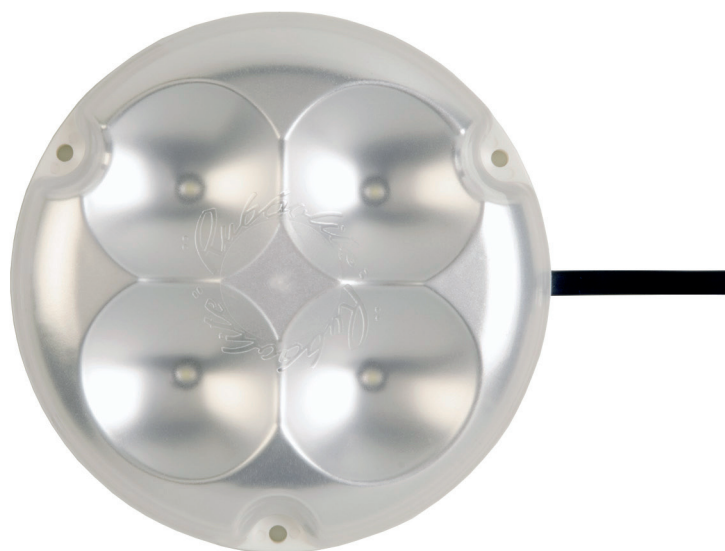
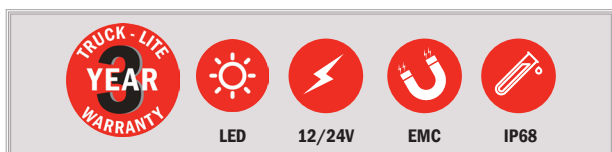




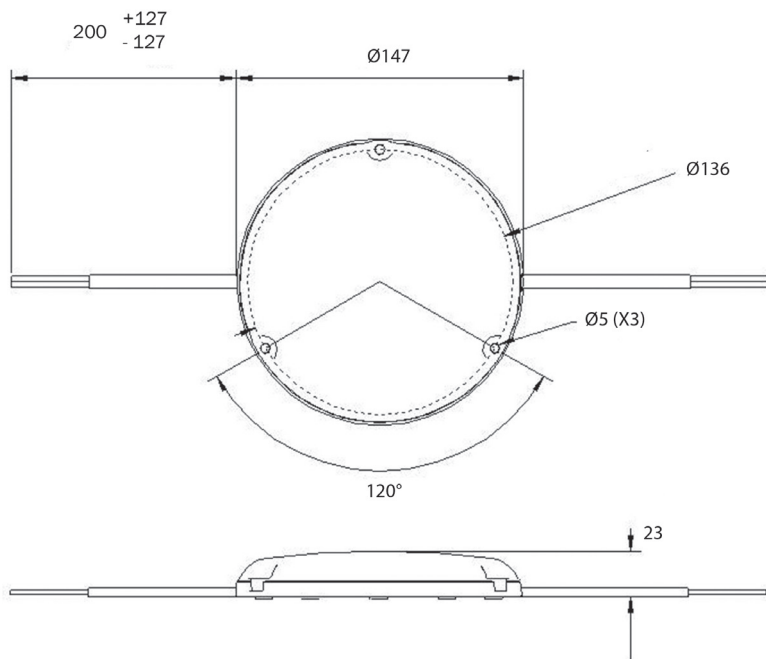
MODEL 708

LED Interior Lamp with Motion Sensor



Main Features

- Round LED interior lamp with optional PIR motion sensor
- Clear lens, white light - 300 to 500 Lumen output
- Flying lead (cable) connector
- Low profile lamp at 23mm depth
- Lamp will remain on for 2 minutes once activated, then turn off



Rubbolite®

Part No.	708PIR/05/35
Light Source	LED
Voltage	12/24 Volt
Dimensions	Ø147mm X D 23mm
Housing	Aluminium
Lens	Polycarbonate
Mount/Fixings	M5 Fixings, 1.3Nm Torque
Connector	Flying Lead
Functions	Interior Lighting, PIR Motion Sensor
Warranty	3 Year
Approvals	EMC, ECE
Testing	IP68
Application	Truck/Trailer

Part Numbers

- 708/03/35 - Round LED Interior Light, 300 Lumen
- 708/05/35 - Round LED Interior Light, 500 Lumen
- 708PIR/03/35 - Round LED Interior Light, 300 Lumen + PIR Motion Sensor
- 708PIR/05/35 - Round LED Interior Light, 500 Lumen + PIR Motion Sensor



Truck-Lite Europe Ltd.
Contact: +44 (0)1279 406406

Online: www.Truck-Lite.eu.com
Social Media: @truckliteeurope

