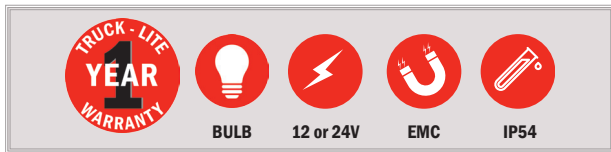




REAR LAMPS

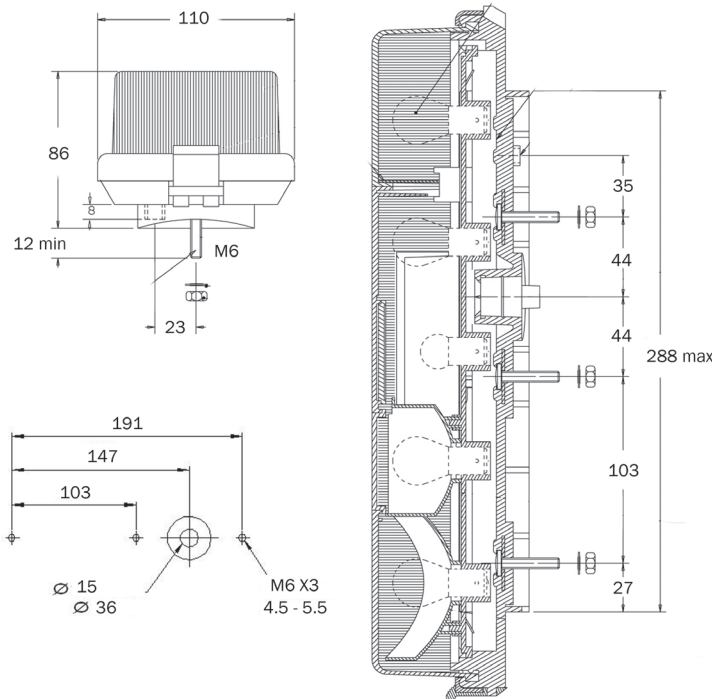
MODEL 261, 262 and 263

Rear Lamp Range



Main Features

- 5 chamber multifunction rear lamps
- Functions: Stop, Tail, DI, Fog and Reverse
- Model 261: Single tail, 3-bolt fixing
Model 262: 3-bolt fixing
Model 263: 2-bolt fixing



Rubbolite®

Part No.	261, 262 and 263
Light Source	Bulb
Voltage	12 or 24 Volt
Dimensions	L xmm X H xmm X D xmm
Housing	Rubber
Lens	Acrylic
Mount/Fixings	2 or 3 bolt fixing, M6 or M8 bolts
Connector	Cable entry
Functions	Multifunction
Warranty	1 Year
Approvals	ECE
Testing	IP54
Application	Truck

Model 261 and 262 shown

Part Numbers

- 261/01/00 - Multifunction, Cable entry, Left or right hand
- 262/01/00 - Multifunction, Cable entry, Left or right hand
- 262/02/00 - Right hand, Multifunction, Cable entry, No. Plate lamp
- 262/02/01 - Left hand, Multifunction, Cable entry, No. Plate lamp
- 262PS/01/00 - Multifunction, PS/RIST connector, Left or right hand

- 262PS/02/00 - Right hand, Multifunction, PS/RIST connector, No. Plate lamp
- 262PS/02/01 - Left hand, Multifunction, PS/RIST connector, No. Plate lamp
- 263/01/00 - Multifunction, Cable entry, Left or right hand
- 263/02/00 - Right hand, Multifunction, Cable entry, No. Plate lamp
- 263/02/01 - Left hand, Multifunction, Cable entry, No. Plate lamp



Truck-Lite Europe Ltd.
Contact: +44 (0)1279 406406

Online: www.Truck-Lite.eu.com
Social Media: @truckliteeurope

