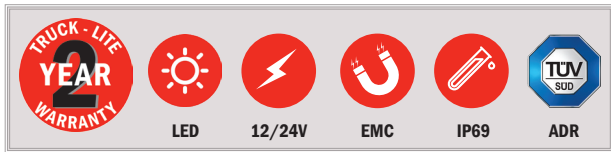




## MODEL 155 and 156

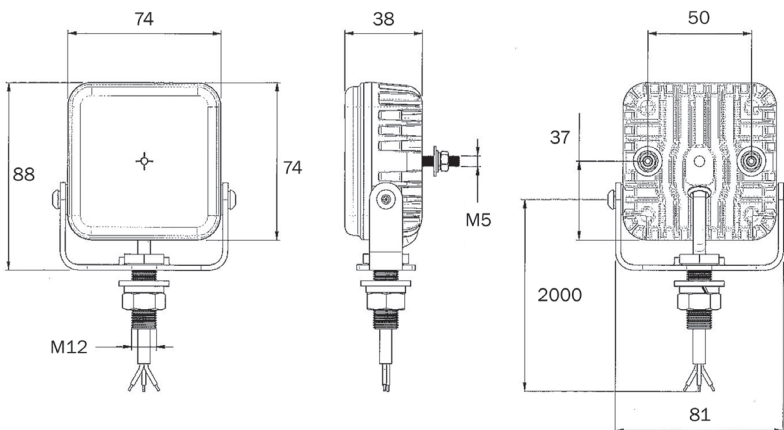
LED Varipod/Warning Lamp Range



Part No.	155/03/00
Light Source	LED
Voltage	12/24 Volt
Dimensions	L 74mm X H 74mm X D 38mm
Lens	Polycarbonate
Mount/Fixings	M12/M5 bolts (see drawing)
Connector	Cable/Flying-lead
Functions	Single or 10 flash/warning function
Warranty	2 Year
Approvals	ECE (+ Reg 65 amber), EMC, ADR
Testing	IP69
Application	Truck/Trailer/Off-Highway

### Main Features

- Various light colours available: Model 155 - Amber, Blue, Red and White. Model 156 - Amber, Blue, Red, White and Green.
- Flying-lead connector
- 200mm harness length
- Single flash pattern (Model 155) or 10 flash patterns (Model 156)
- Can be used with or without mounting bracket
- Individual blister packaging
- Robust polycarbonate lens and stainless steel fixings



### Part Numbers

- 155/03/00 - LED Amber Warning Lamp, Single Flash
- 155/13/00 - LED Blue Warning Lamp, Single Flash
- 155/23/00 - LED Red Warning Lamp, Single Flash
- 155/33/00 - LED White Warning Lamp, Single Flash

- 156/03/00 - LED Amber Warning Lamp, 10 Flash
- 156/13/00 - LED Blue Warning Lamp, 10 Flash
- 156/23/00 - LED Red Warning Lamp, 10 Flash
- 156/33/00 - LED White Warning Lamp, 10 Flash
- 156/43/00 - LED Green Warning Lamp, 10 Flash



Truck-Lite Europe Ltd.  
Contact: +44 (0)1279 406406

Online: [www.Truck-Lite.eu.com](http://www.Truck-Lite.eu.com)  
Social Media: @truckliteurope

